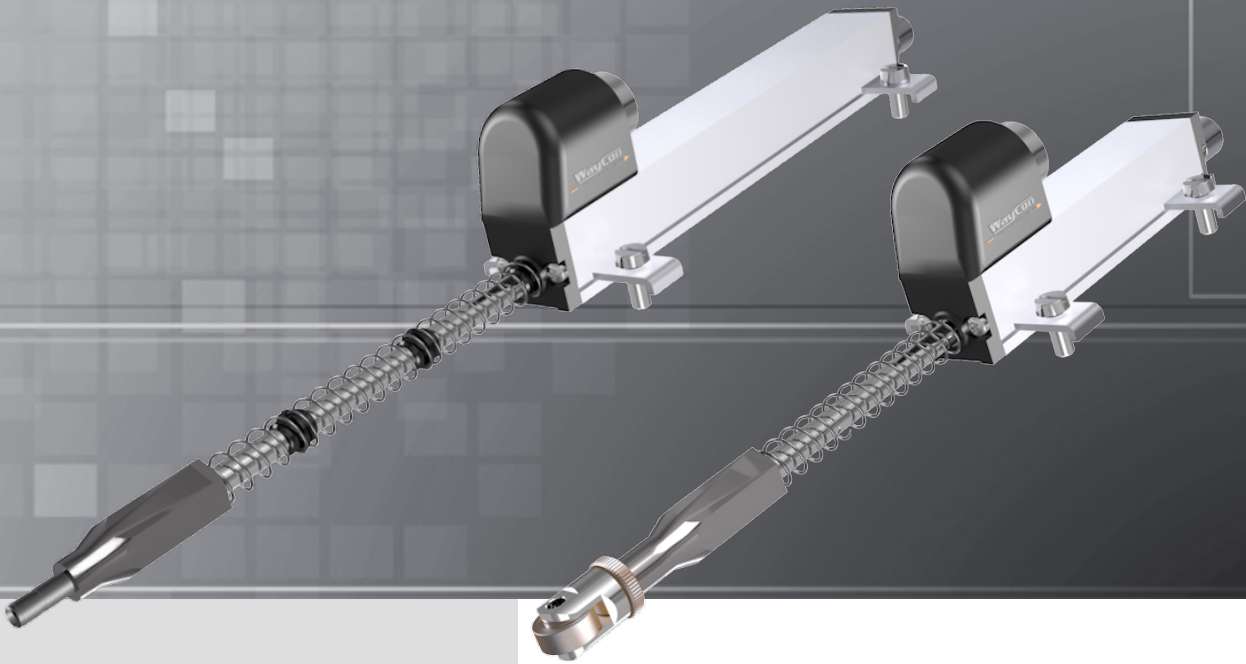


LINEAR POTENTIOMETER



Series LRW2 and LRW3

Key-Features:

- LRW2 with ball tip, measurement ranges up to 150 mm
- LRW3 with roller tip, measurement ranges up to 50 mm
- Double rod support and return spring
- Displacement speed ≤ 10 m/s
- Linearity up to ± 0.05 %
- Working temperature $-30 \dots +100$ °C
- Life cycle $> 25 \times 10^6$ m or $> 100 \times 10^6$ operations, whichever is less
- Simple apparatus according to the EN 60079-11

Content:

Technical Data2
Technical Drawing2
Electrical Connection3
Accessories3
Order Code4

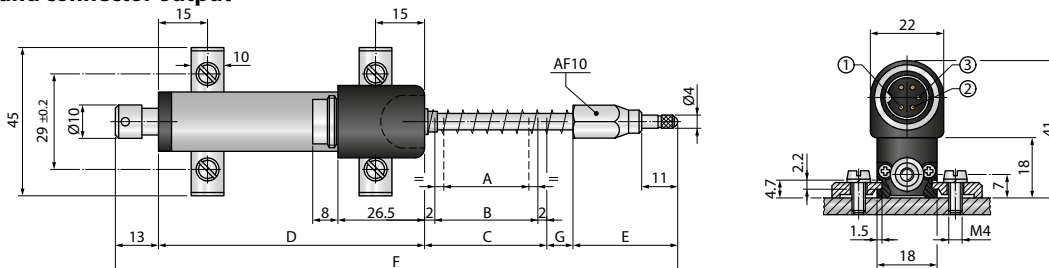
TECHNICAL DATA

Measurement range	[mm]	10	25	50	75	100	150
Probe tip		ball tip (LRW2) or roller tip (LRW3)			ball tip (LRW2)		
Linearity	[%]	±0.3	±0.2	±0.1		±0.05	
Resolution		theoretical infinite, depends on the signal quality of the reference respectively supply voltage					
Displacement force	[N]	≤4					
Displacement speed	[m/s]	≤10					
Resistance	[kΩ]	1		5			
Tolerance on resistance	[%]	±20					
Dissipation at 40 °C (0 W at 120 °C)	[W]	0.2	0.6	1.2	1.8	2.4	3.6
Applicable voltage max.	[V]	14	25	60			
Recommended cursor current	[μA]	<0.1					
Cursor current max.	[mA]	10					
Electrical isolation		>100 MΩ at 500 VDC, 2 s, 1 bar					
Dielectric strength		<100 μA at 500 VAC, 50 Hz, 2 s, 1 bar					
Protection class		IP40					
Operating temperature	[°C]	-30...+100					
Storage temperature	[°C]	-50...+120					
Temperature coefficient resistance	[ppm/°C]	±200					
Temperature coefficient output voltage	[ppm/°C]	<1.5					
Vibration resistance		5...2000 Hz, A _{max} = 0.75 mm, a _{max} = 20 g					
Shock resistance		50 g, 11 ms					
Life cycle		>25 x 10 ⁶ m or >100 x 10 ⁶ operations (whichever is less)					
Connection		cable output, 3 poles or connector output, 5 pins					
Rod		stainless steel, ASIS 303					
Housing		anodised aluminium, Nylon 66 G 25					
Mounting		PKIT005 (4 small brackets) ¹⁾ / optional: PKIT006 (2 large brackets)					

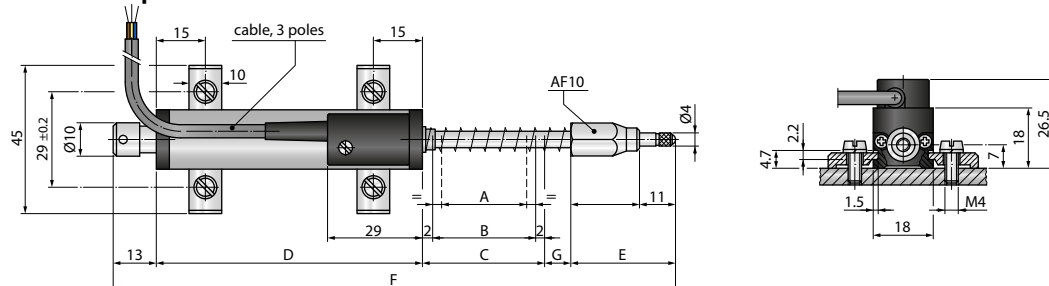
¹⁾ included in scope of delivery. PKIT005 includes 4 small brackets, screws M4x10 and growers

TECHNICAL DRAWING

LRW2-C: ball tip and connector output



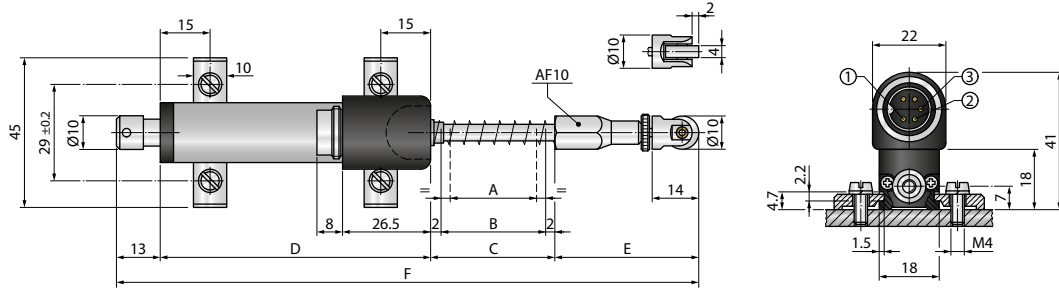
LRW2-F: ball tip and cable output



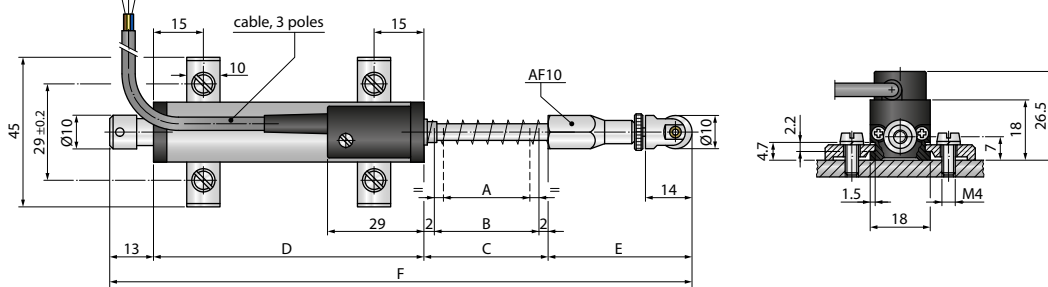
Measurement range / useful electrical stroke +1/-0	A	10	25	50	75	100	150
Theoretical electrical stroke ±1	B	11	26	51	76	101	151
Mechanical stroke	C	15	30	55	80	105	155
Housing length	D	48	63	88	113	138	188
Length of probe tip	E	32		40			
Overall length	F	108	138	196	251	307	426
Part of push rod not retractable into housing	G	-		5		11	

TECHNICAL DRAWING

LRW3-C: roller tip and connector output

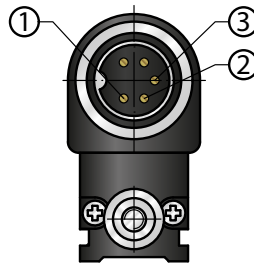
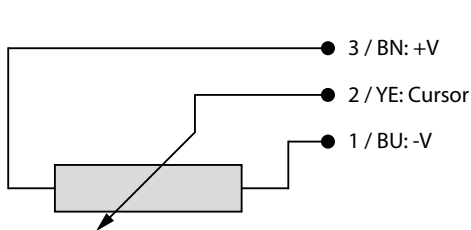


LRW3-F: roller tip and cable output



Measurement range / useful electrical stroke +1/-0	A	10	25	50
Theoretical electrical stroke ±1	B	11	26	51
Mechanical stroke	C	15	30	55
Housing length	D	48	63	88
Length of probe tip	E		43	51
Overall length	F	119	149	207

ELECTRICAL CONNECTION



Installation notes:

- Do **NOT** use the sensor as a variable resistor!
- While calibrating the sensor set the stroke so that the output signal does not drop below 1 % or exceed 99 % of the supply voltage.

ACCESSORIES

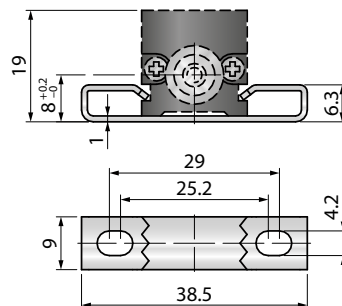
CON011: Mating connector

- for self assembly
- 5 poles
- IP40
- cable diameter Ø 4...6 mm



PKIT006: mounting brackets

2 pcs. + screws and growlers

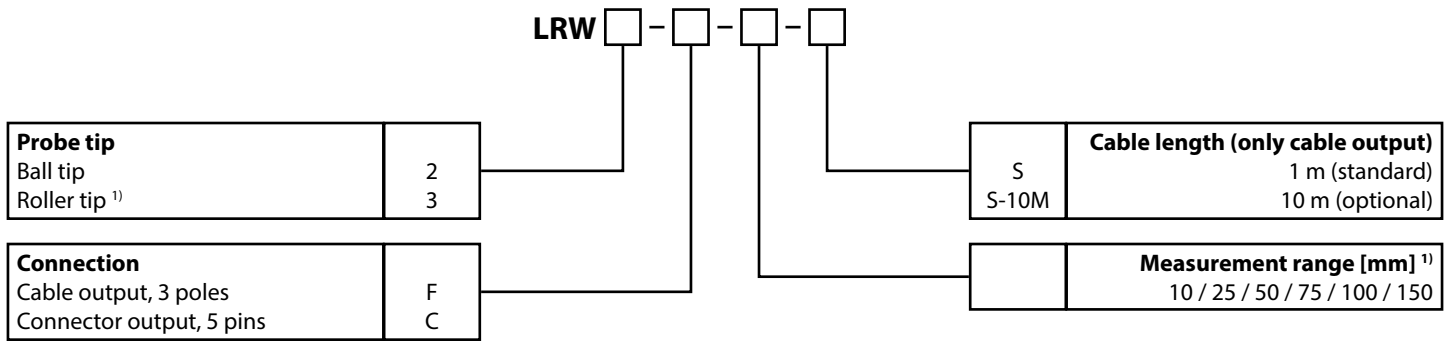


Signal conditioner PMX-24

- Converts potentiometer signals into analog output signals: 4...20 mA, 0...10 V, 0...5 V, ±10 V, ±5 V
- Input: potentiometer 1...20 kΩ
- Configurable output
- DIN-rail-mounting with face-side connector
- For more information please refer to the [PMX-24 data sheet](#).



ORDER CODE



¹⁾ Measurement ranges 75 / 100 / 150 not combinable with roller tip

ACCESSORIES

Mounting accessories and probe tips

PKIT005 ¹⁾	Mounting set: 4 x small brackets, screws, growers
PKIT006	Mounting set: 2 x large brackets, screws, growers
PTAS000 ¹⁾	Ball tip
PTAS001 ¹⁾	Roller tip

Digital displays for sensors with analog output, 2 channel

WAY-AX-S	touch screen, supply: 18...30 VDC
WAY-AX-S-AC	touch screen, supply: 115...230 VAC

For more information and options please refer to the [WAY-AX data sheet](#).

¹⁾ PKIT005 and PTAS000 (LRW2) or PTAS001 (LRW3) are included in sensor scope of delivery.

Mating connector for self assembly for LRW1-C

CON011	5 poles, IP40, for cable diameter 4...6 mm
--------	--

Signal conditioner

PMX-24	Output signals: 4...20 mA, 0...10 V, 0...5 V, ±10 V, ±5 V
--------	---

For more information and options please refer to the [PMX-24 data sheet](#).

Subject to change without prior notice.

WayCon Positionsmesstechnik GmbH
 email: info@waycon.de
 internet: www.waycon.biz

WayCon
 Positionsmesstechnik

Head Office
 Mehlsbeerstr. 4
 82024 Taufkirchen
 Tel. +49 (0)89 67 97 13-0
 Fax +49 (0)89 67 97 13-250

Office Köln
 Auf der Pehle 1
 50321 Brühl
 Tel. +49 (0)2232 56 79 44
 Fax +49 (0)2232 56 79 45